

# OptoHub™

Optically Isolated 485 Multiplexer

## Star Communications

Reliable. Versatile. Secure.



### OptoHub™

- Single input multiplexed into 8 RS-485 communication channels
- Optically isolates each port
- Protects against ground potential across ports
- Isolated power on each channel
- Supports speeds up to 115,200 bits per second
- Status LEDs (transmit and receive) for each port
- Onboard RS-232 to 485 conversion for host port
- The ability to disable the receive channel on each port
- Provides an easy way to distribute sub-controllers or other 485 devices across your entire system

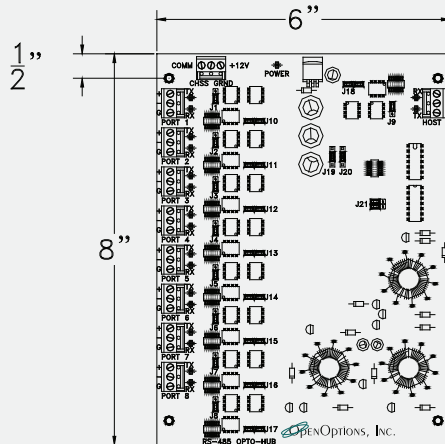
### Overview

The Open Options **OptoHub™** is a 485 communications multiplexer that provides a star topology wiring scheme for easy installation and troubleshooting of downstream devices.

The **OptoHub™** is the ideal solution for almost any 485 communications wiring application. In addition to providing a star topology, it also optically isolates each communication port, thereby adding an extra layer of protection and safeguarding the overall integrity of your system.

Whether you are upgrading an existing access control system to Open Options hardware or installing in a new construction environment, the **OptoHub™** guarantees a successful outcome every time.

## Dimensions



OptoHub™

## OptoHub™ Specifications

### Power

12 VDC +/- 15%, 300 mA

### Wiring Specifications

Power: 1 twisted pair, 18 AWG min.

RS-485: 24 AWG, 4,000ft (1,200m) max., twisted pair(s) with shield

RS-232: 24 AWG, 25ft (7.6m) max.

### Ports

Host Port: RS-485/232 optional

Port 1-8: RS-485 transmit/receive

All ports support data rates up to 115.2 Kbps

### Environmental

Temperature: 0 to 70C operational,  
-55 to 85C storage

Humidity: 0 to 95% RHNC

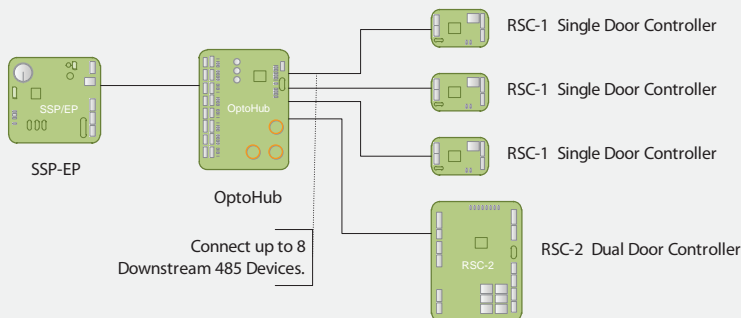
### Mechanical

Dimensions: 6.0 in. W x 8.0 in. L x 1.0 in. H  
(152mm W x 203mm L x 25mm H)

Weight: 10 oz. (290gm) nominal

## Application

Star Topology



232/485 Conversion

